

阅读申明

- 1.本站收集的数据手册和产品资料都来自互联网，版权归原作者所有。如读者和版权方有任何异议请及时告之，我们将妥善解决。
- 2.本站提供的中文数据手册是英文数据手册的中文翻译，其目的是协助用户阅读，该译文无法自动跟随原稿更新，同时也可能存在翻译上的不当。建议读者以英文原稿为参考以便获得更精准的信息。
- 3.本站提供的产品资料，来自厂商的技术支持或者使用者的心得体会等，其内容可能存在描述上的差异，建议读者做出适当判断。
- 4.如需与我们联系，请发邮件到marketing@iczoom.com，主题请标有“数据手册”字样。

Read Statement

1. The datasheets and other product information on the site are all from network reference or other public materials, and the copyright belongs to the original author and original published source. If readers and copyright owners have any objections, please contact us and we will deal with it in a timely manner.
2. The Chinese datasheets provided on the website is a Chinese translation of the English datasheets. Its purpose is for reader's learning exchange only and do not involve commercial purposes. The translation cannot be automatically updated with the original manuscript, and there may also be improper translations. Readers are advised to use the English manuscript as a reference for more accurate information.
3. All product information provided on the website refer to solutions from manufacturers' technical support or users the contents may have differences in description, and readers are advised to take the original article as the standard.
4. If you have any questions, please contact us at marketing@iczoom.com and mark the subject with "Datasheets" .

High Performance PWM Flyback Controller

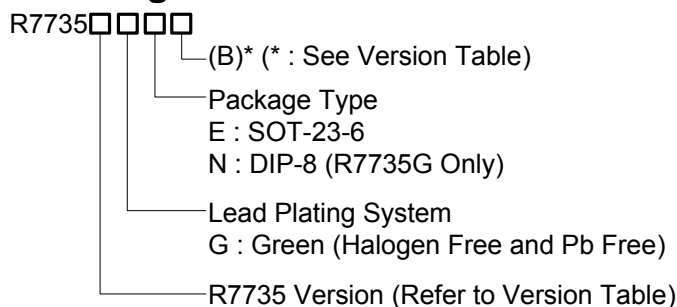
General Description

R7735 series is the successor of R7732/3 and fully compatible with most of SOT-23-6 / DIP-8 product so far in the market. It has enhanced mode PWM controller and owns excellent green power performance, especially under light load and no load conditions. It focuses on "easy to design" in different applications and it will save both design effort and external components.

Besides the general features shown in the Features section, R7735 covers wide protection options, such as internal Over Load Protection (OLP) and Over Voltage Protection (OVP) to eliminate the external protection circuits. Moreover, it also features Secondary Rectifier Short Protection (SRSP) and CS pin open protection. This protection will make the PSU design for reliability and safety easier.

R7735 is designed for power supply such as NB adaptor which is a very cost effective and compact design. The precise external OVP and Over Temperature Protection (OTP) can be implemented by very simple circuit. The start-up resistors can also be replaced by bleeding resistors to save power loss and component count.

Ordering Information



Note :

Richtek products are :

- ▶ RoHS compliant and compatible with the current requirements of IPC/JEDEC J-STD-020.
- ▶ Suitable for use in SnPb or Pb-free soldering processes.

Features

- No Load Input Power Under 100mW
- Accurate Over Load Protection
- UVLO 9V/14V
- Current Mode Control
- Slope Compensation
- Internal Leading Edge Blanking
- Excellent Green Power Performance
- Cycle-by-Cycle Current Limit
- Internal Over Voltage Protection
- Secondary Rectifier Short Protection
- Opto-Coupler Short Protection
- Feedback Open-Loop Protection
- CS Pin Open Protection
- Jittering Frequency
- PRO Pin for External Arbitrary OVP/OTP
- Soft Driving for EMI Noise
- High Noise Immunity
- RoHS Compliant and Halogen Free

Application

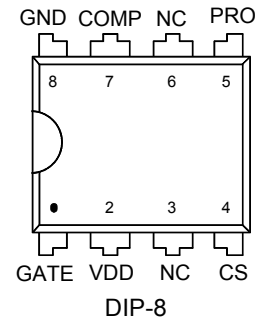
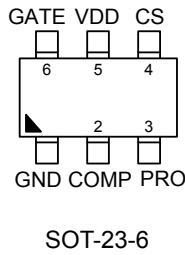
- Switching AC/DC Adaptor
- DVD Open Frame Power Supply
- Set-Top Box (STB)
- ATX Standby Power
- TV/Monitor Standby Power
- PC Peripherals
- NB Adaptor

Marking Information

For marking information, contact our sales representative directly or through a Richtek distributor located in your area.

Pin Configurations

(TOP VIEW)



R7735 Version Table

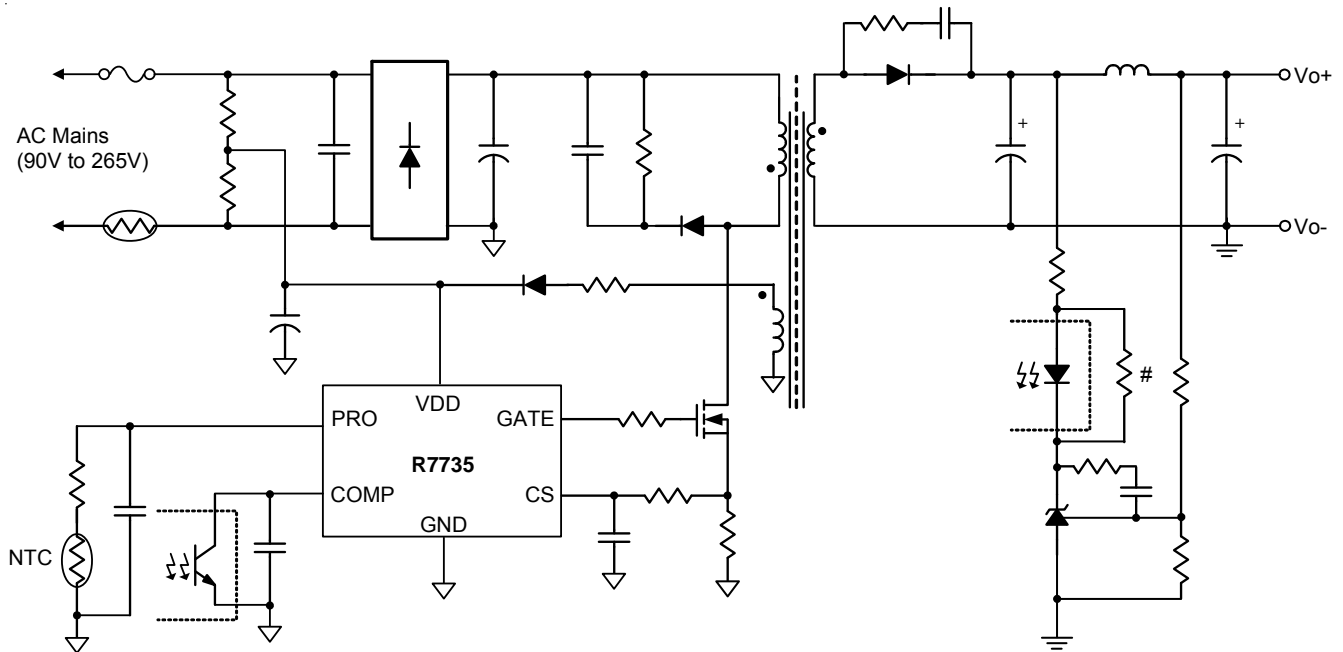
Version	R7735G	R7735R	R7735L	R7735A	R7735H
Frequency	65kHz	65kHz	65kHz	65kHz	100kHz
OLP Delay Time	56ms	56ms	56ms	28ms	36ms
Internal OVP(27V)	Auto Recovery	Auto Recovery	Latch	Latch	Auto Recovery
OLP & SRSP	Auto Recovery	Auto Recovery	Auto Recovery	Latch	Auto Recovery
PRO Pin High	Latch	Auto Recovery	Latch	Latch	Auto Recovery
PRO Pin Low	Auto Recovery	Latch	Latch	Latch	Latch

* : V_{SRSP_TH} : Secondary Rectifier Short Protection (SRSP) triggered threshold.

R7735XGE : $V_{SRSP_TH} = 1.7V$, X = G/R/L/A

R7735HGE(B) : $V_{SRSP_TH} = 2.6V$

Typical Application Circuit

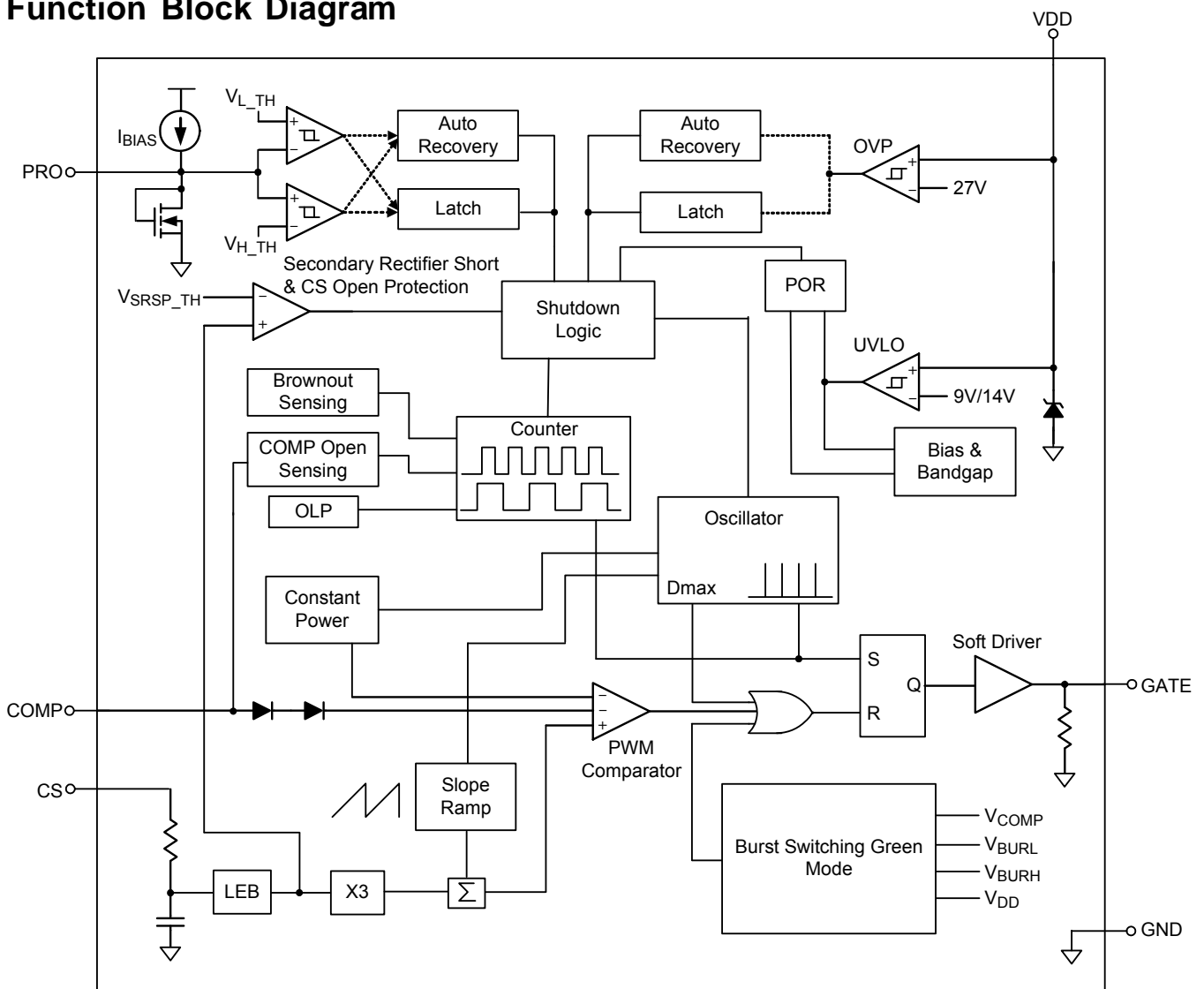


: See Application Information

Functional Pin Description

Pin No.		Pin Name	Pin Function
SOT-23-6	DIP-8		
1	8	GND	Ground.
2	7	COMP	Voltage Feedback. By connecting an opto-coupler to close control loop and achieve the regulation.
3	5	PRO	For External Arbitrary OVP or OTP.
4	4	CS	Primary Current Sense.
5	2	VDD	Power Supply.
6	1	GATE	Gate Drive Output to Drive the External MOSFET.
--	3, 6	NC	No Internal Connection.

Function Block Diagram



Absolute Maximum Ratings (Note 1)

- Supply Input Voltage, VDD ----- -0.3V to 30V
- GATE Pin ----- -0.3V to 16.5V
- PRO, COMP, CS Pin ----- -0.3V to 6.5V
- I_{DD} ----- 10mA
- Power Dissipation, P_D @ T_A = 25°C
 - SOT-23-6 ----- 0.400W
 - DIP-8 ----- 0.714W
- Package Thermal Resistance (Note 2)
 - SOT-23-6, θ_{JA} ----- 250°C/W
 - DIP-8, θ_{JA} ----- 140°C/W
- Junction Temperature ----- 150°C
- Lead Temperature (Soldering, 10 sec.) ----- 260°C
- Storage Temperature Range ----- -65°C to 150°C
- ESD Susceptibility (Note 3)
 - HBM (Human Body Model) ----- 3kV
 - MM (Machine Model) ----- 250V

Recommended Operating Conditions (Note 4)

- Supply Input Voltage, VDD ----- 12V to 25V
- Junction Temperature Range ----- -40°C to 125°C
- Ambient Temperature Range ----- -40°C to 85°C

Electrical Characteristics

(V_{DD} = 15V, T_A = 25°C, unless otherwise specified)

Parameter	Symbol	Test Conditions	Min	Typ	Max	Unit
VDD Section						
V _{DD} Over Voltage Protection Level	V _{OVP}		26	27	28	V
V _{DD} Zener Clamp	V _Z		29	--	--	V
On Threshold Voltage	V _{TH_ON}		13	14	15	V
Off Threshold Voltage	V _{TH_OFF}		8.5	9	9.5	V
V _{DD} Holdup Mode Entry Point	V _{DD_LOW}	V _{COMP} < 1.6V	9.5	10	10.5	V
V _{DD} Holdup Mode Ending Point	V _{DD_HIGH}	V _{COMP} < 1.6V	10	10.5	11	V
Latch-off Voltage	V _{LH}		4.5	5.5	6.5	V
Latched Reset Voltage	V _{LH_RST}		4	5	6	V
Start-up Current	I _{DD_ST}	V _{DD} = V _{TH_ON} - 0.2V, T _A = -40°C to 100°C (Note 5)	1	5	10	μA
Operating Supply Current	I _{DD_OP}	V _{DD} = 15V, V _{COMP} = 2.5V, GATE pin open	0.55	0.9	1.6	mA
Latch-off Operating Current	I _{DD_LH}	T _A = -40°C to 100°C (Note 5)	2	--	8	μA

Parameter	Symbol	Test Conditions	Min	Typ	Max	Unit
Oscillator Section						
Normal PWM Frequency	f _{OSC}	R7735G/R/L/A	60	65	70	kHz
		R7735H	92	100	108	
Minimum Burst Switching Green Mode Frequency	f _{BS_MIN}	R7735G/R/L/A	18	22	--	kHz
		R7735H	--	25	--	
Maximum Duty Cycle	DCY _{MAX}		70	75	80	%
PWM Frequency Jitter Range	Δf		--	±6	--	%
PWM Frequency Jitter Period	T _{JIT}	For 65kHz	--	4	--	ms
Frequency Variation Versus V _{DD} Deviation	f _{DV}	V _{DD} = 12V to 25V	--	--	2	%
Frequency Variation Versus Temperature Deviation	f _{DT}	T _A = -30°C to 105°C (Note 5)	--	--	5	%
COMP Input Section						
Open-Loop Voltage	V _{COMP_OP}	COMP pin Open	5.5	5.75	6	V
COMP Open-Loop Protection Delay Time	T _{OLP}	R7735G/R/L	45	56	65	ms
		R7735A	22	28	34	
		R7735H	30	36	42	
Short Circuit Current	I _{ZERO}	V _{COMP} = 0V	0.15	0.29	0.45	mA
Burst Switching Green Mode Entry Voltage	V _{BS_ET}		2.85	3	3.15	V
Burst Switching Green Mode Ending Voltage	V _{BS_ED}	R7735G/R/L/A	2.75	2.9	3.05	V
		R7735H	2.65	2.8	2.95	
Current Sense Section						
Initial Peak Current Limitation Offset	V _{CS_TH}		0.68	0.7	0.72	V
Maximum Clamping Current Limit	V _{CS(MAX)}	(Note 5)	1.05	1.1	1.15	V
Leading Edge Blanking Time	t _{LEB}	(Note 6)	150	250	350	ns
Internal Propagation Delay Time	t _{PD}	(Note 6)	--	100	--	ns
Minimum On Time	t _{ON(MIN)}		250	350	450	ns
GATE Section						
Rising Time	t _R	V _{DD} = 15V, C _L = 1nF	60	125	140	ns
Falling Time	t _F	V _{DD} = 15V, C _L = 1nF	25	40	65	ns
GATE Output Clamping Voltage	V _{CLAMP}	V _{DD} = 25V	12.1	14	15.9	V
PRO Interface Section						
Pull Low Threshold	V _{L_TH}		0.47	0.5	0.53	V
Pull High Threshold	V _{H_TH}		3.5	3.8	4.1	V
Internal Bias Current	I _{BIAS}		90	100	110	μA
Pull High Sinking Current	I _{SINK}	(Note 7)	0.7	--	1.4	mA

Note 1. Stresses beyond those listed “Absolute Maximum Ratings” may cause permanent damage to the device. These are stress ratings only, and functional operation of the device at these or any other conditions beyond those indicated in the operational sections of the specifications is not implied. Exposure to absolute maximum rating conditions may affect device reliability.

Note 2. θ_{JA} is measured at $T_A = 25^\circ\text{C}$ on a low effective thermal conductivity single-layer test board per JEDEC 51-3.

Note 3. Devices are ESD sensitive. Handling precaution is recommended.

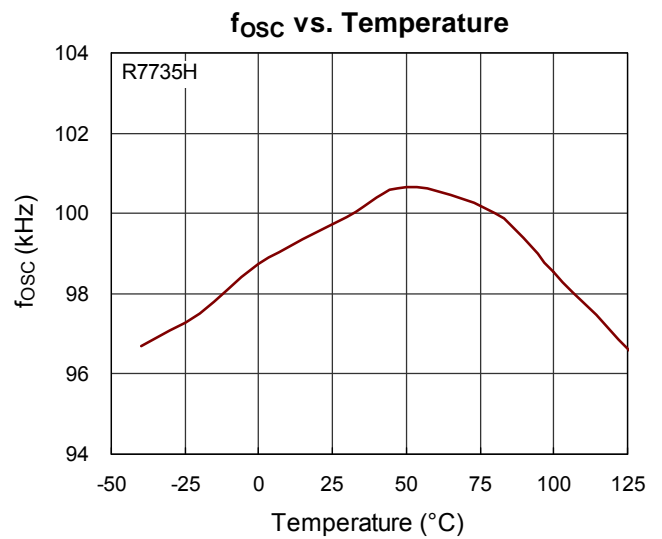
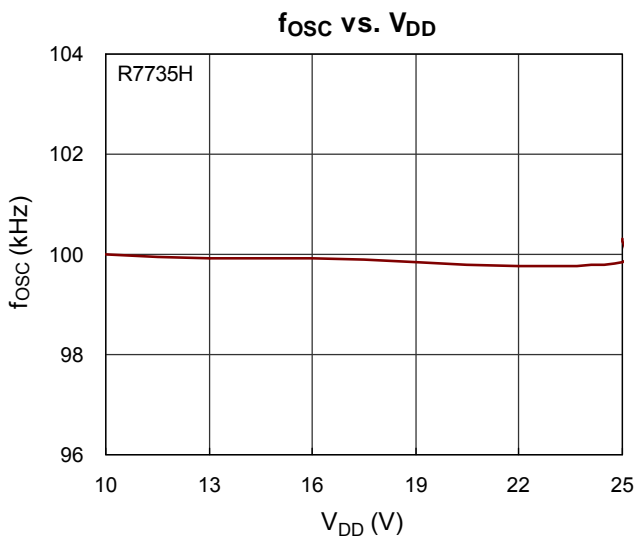
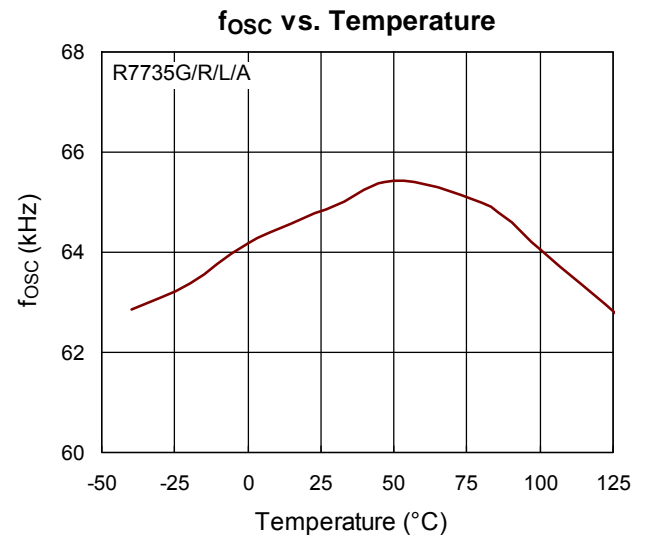
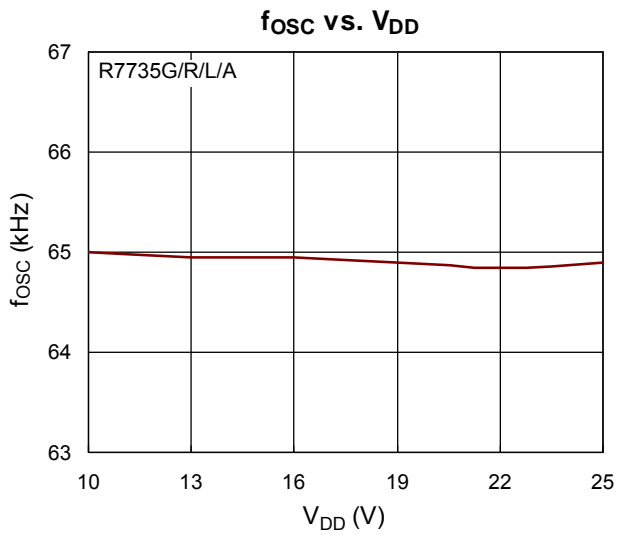
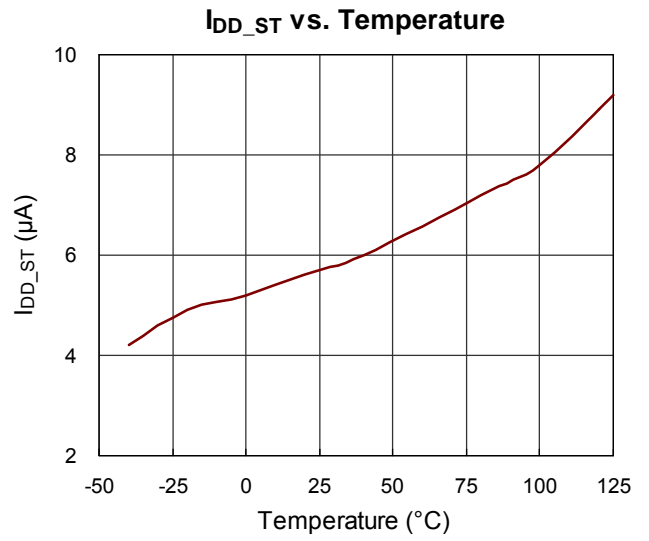
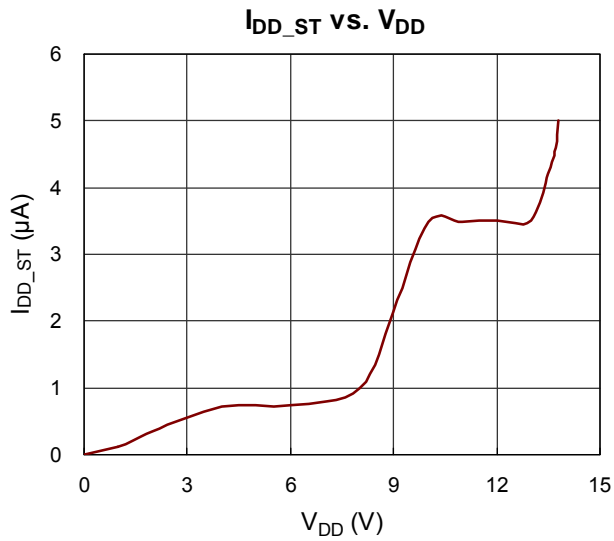
Note 4. The device is not guaranteed to function outside its operating conditions.

Note 5. Guaranteed by design.

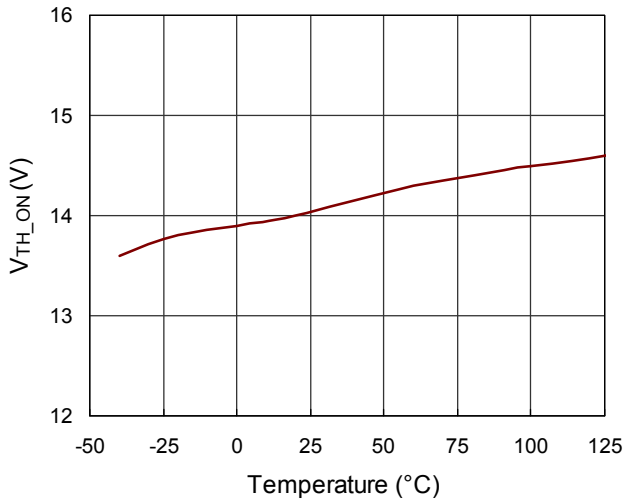
Note 6. Leading edge blanking time and internal propagation delay time are guaranteed by design.

Note 7. The sourcing current of PRO pin must be limited below 5mA. Otherwise it may cause permanent damage to the device.

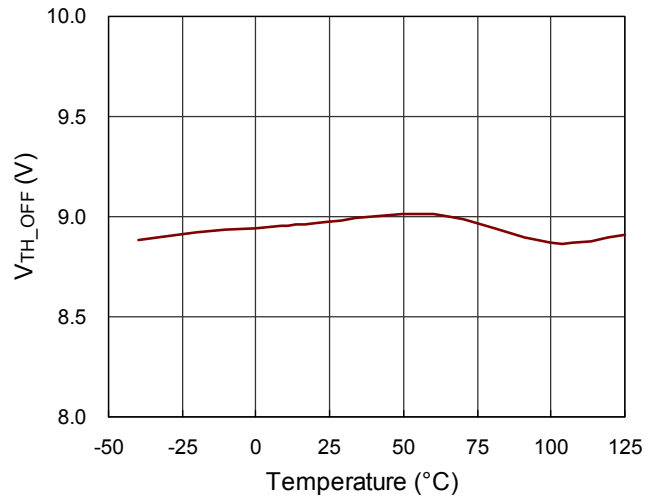
Typical Operating Characteristics



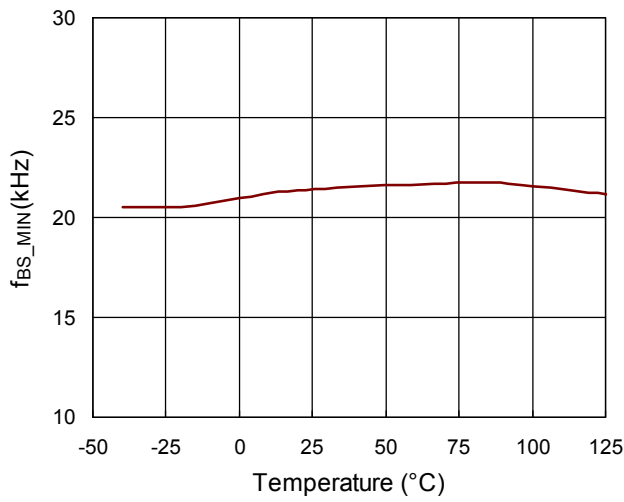
V_{TH_ON} vs. Temperature



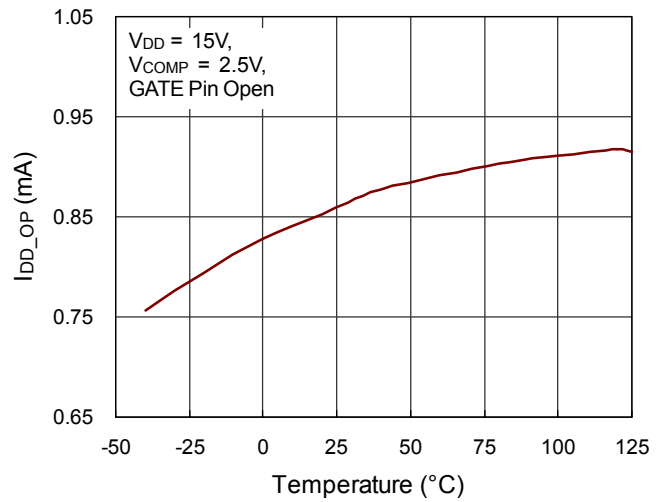
V_{TH_OFF} vs. Temperature



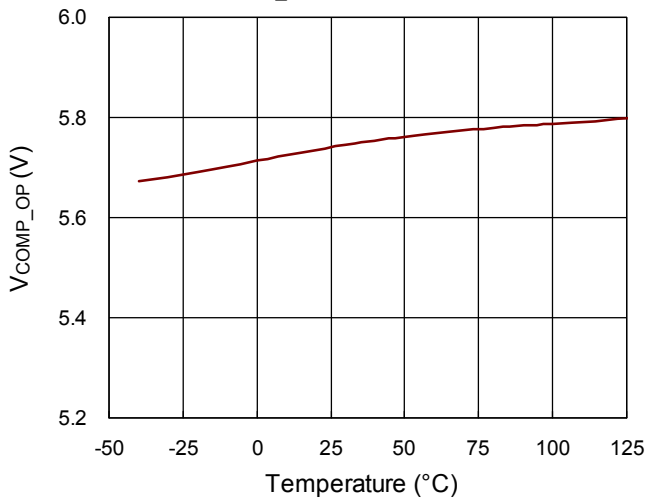
f_{BS_MIN} vs. Temperature



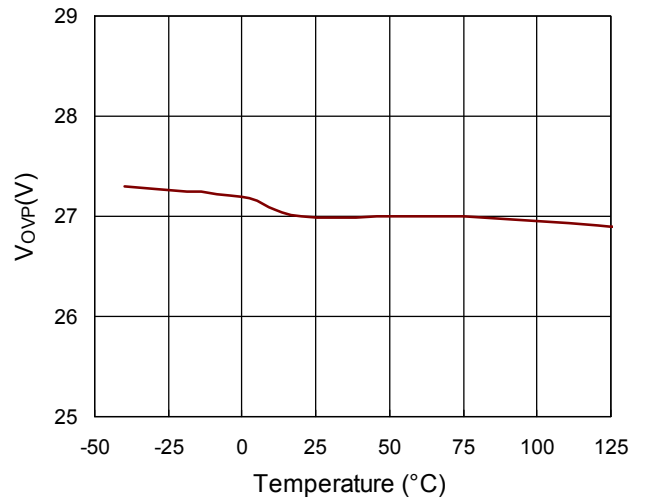
I_{DD_OP} vs. Temperature

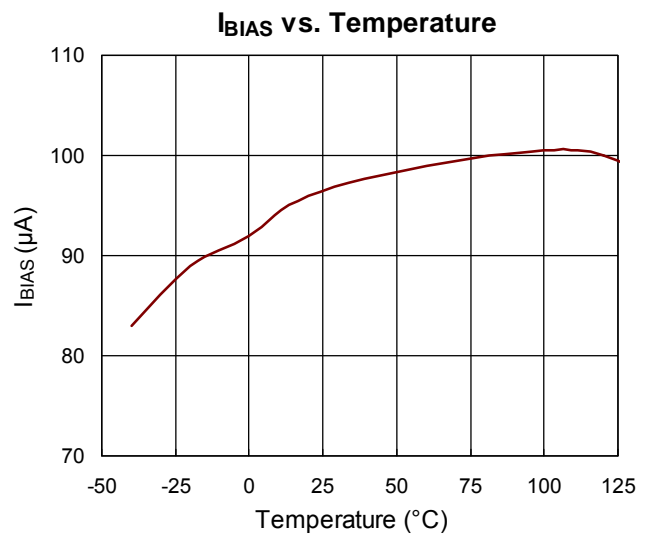
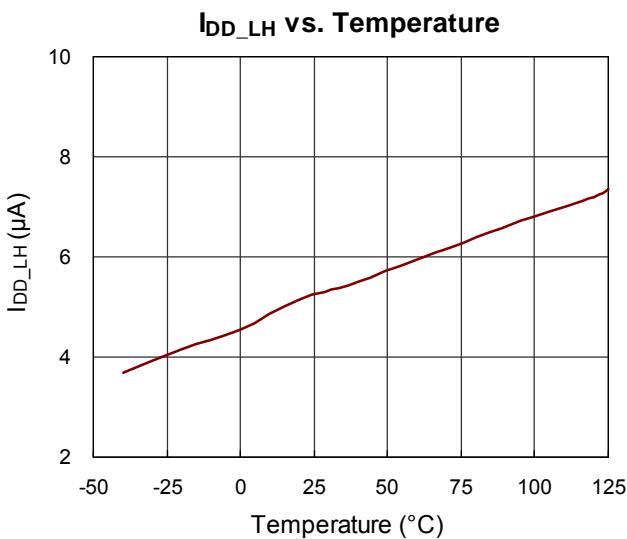
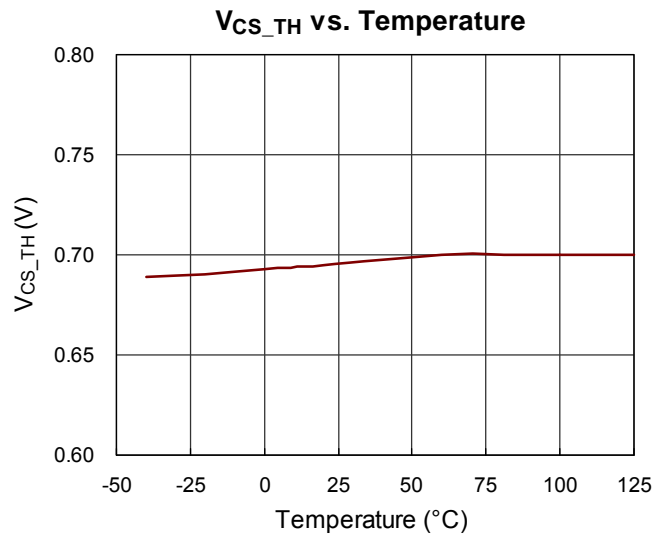
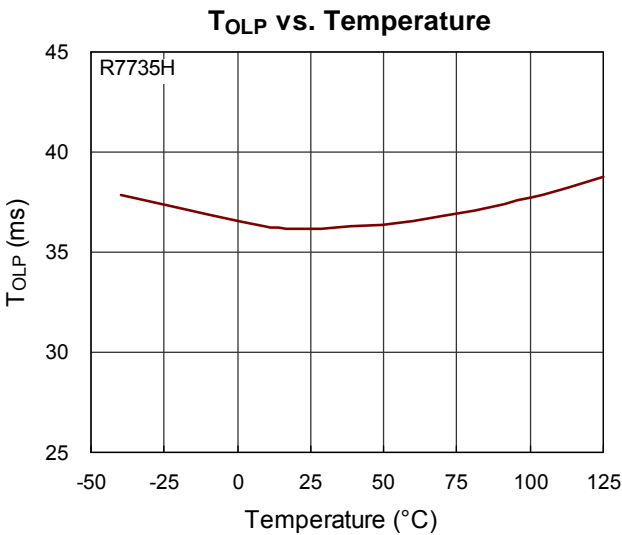
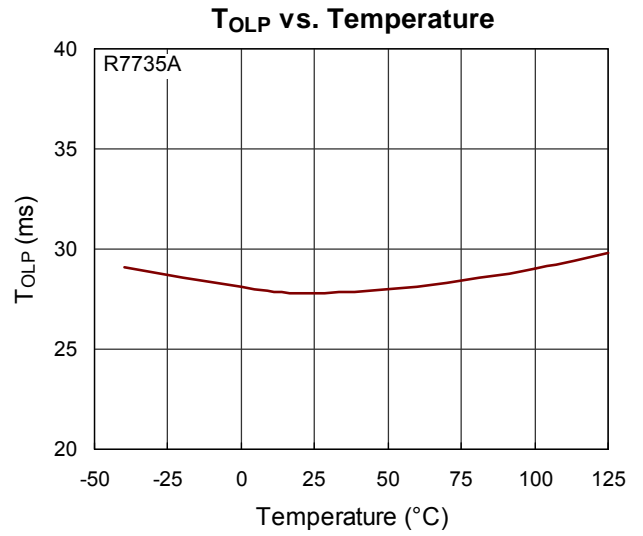
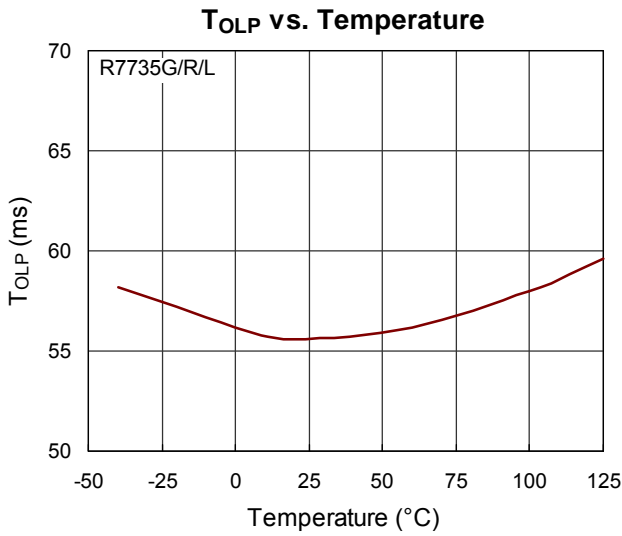


V_{COMP_OP} vs. Temperature

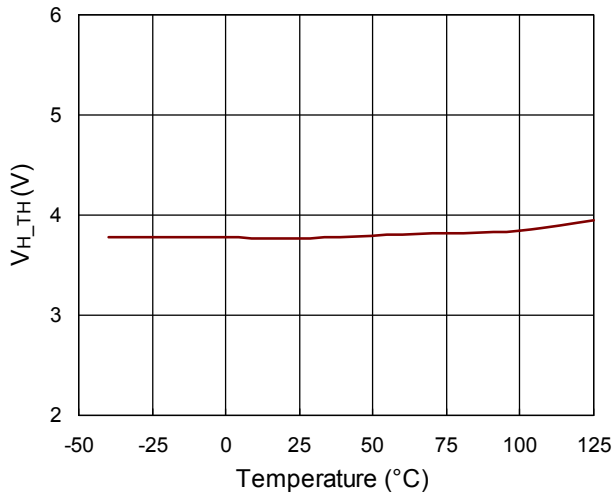


V_{OVP} vs. Temperature

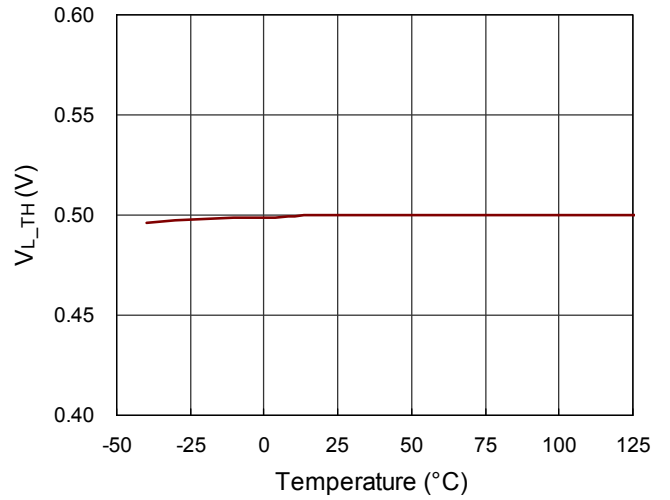




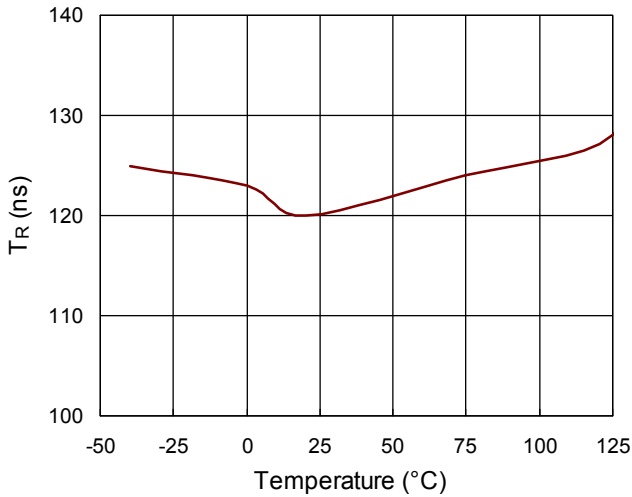
V_{H_TH} vs. Temperature



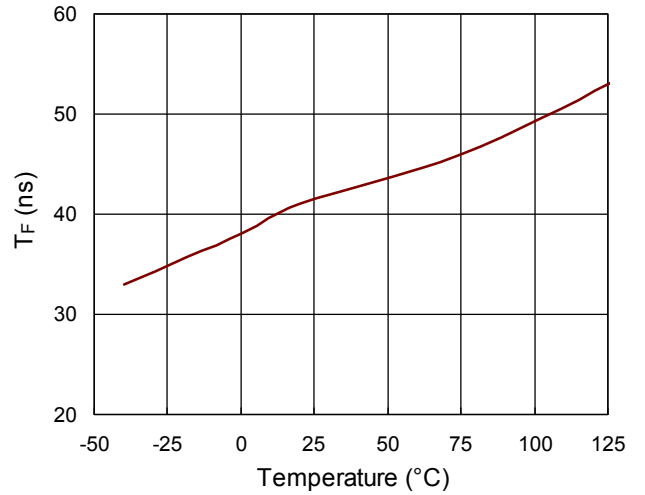
V_{L_TH} vs. Temperature



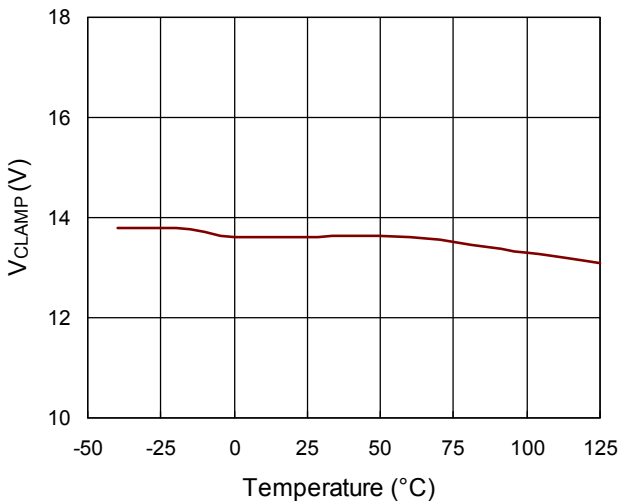
T_R vs. Temperature



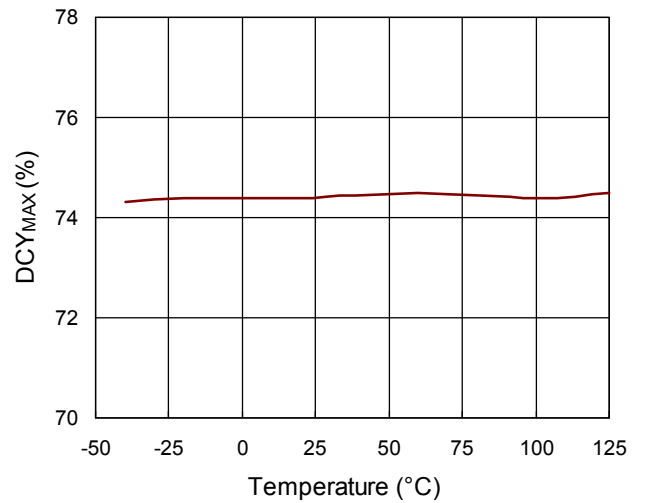
T_F vs. Temperature



V_{CLAMP} vs. Temperature



DCY_{MAX} vs. Temperature



Application Information

Burst Switching Green Mode

During light load, switching loss will dominate the power efficiency calculation. This mode is to cut switching loss. When the output load gets light, feedback signal drops and touches V_{BURL} . PWM signal will be blanked and system ceases to switch. After V_{OUT} drops and feedback signal goes back to V_{BURH} , switching will be resumed.

VDD Holdup Mode

Under light load or load transient moment, feedback signal will drop and touch V_{BURL} . Then PWM signal will be blanked and system ceases to switch. V_{DD} could drop down to turn off threshold voltage. To avoid this, when V_{DD} drops to a setting threshold (Typ. = 10V), the hysteresis comparator will bypass PWM and burst mode loop and forces switching at a very low level to supply energy to VDD pin. VDD holdup mode was also improved to hold up V_{DD} by less switching cycles. This mode is very useful in reducing start-up resistor loss while still get start-up time in spec. It's not likely for V_{DD} to touch UVLO turn off threshold during any light load condition. This will also makes bias winding design and transient design easier.

Furthermore, VDD holdup mode is only designed to prevent V_{DD} from touching turn off threshold voltage under light load or load transient moment. Relative to burst mode, switching loss will increase on the system at VDD holdup

mode, so it is highly recommended that the system should avoid operating at this mode during light load or no load condition, normally.

Start-up Circuit

To minimize power loss, it's recommended that the start-up current is from bleeding resistor. It's not only good for power saving but also could reset latch mode protection quickly. Figure 1 shows I_{DD_Avg} vs. $R_{Bleeding}$ curve. User can apply this curve to design the adequate bleeding resistor.

Gate Driver

A totem pole gate driver is fine tuned to meet both EMI and efficiency requirement in low power application. An internal pull low circuit is activated after pretty low V_{DD} to prevent external MOSFET from accidentally turning on during UVLO.

Oscillator

To guarantee precise frequency, it's trimmed to 5% tolerance. It also generates slope compensation saw-tooth, 75% maximum duty cycle pulse and overload protection slope. It can typically operate at built-in 65kHz center frequency and features frequency jittering function. Its jittering depth is 6% with about 4ms envelope frequency at 65kHz.

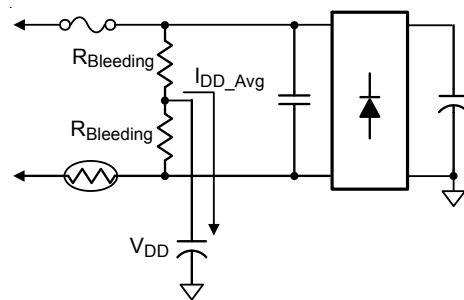
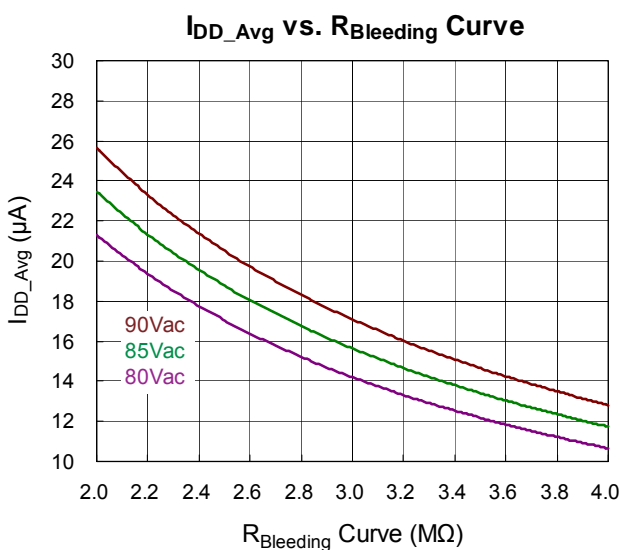


Figure 1. I_{DD_Avg} vs. $R_{Bleeding}$ Curve

Tight Current Limit Tolerance

Since R7735 is the successor of R7732/3, its current limit setting is completely the same as R7732/3. Generally, the saw current limit applied to low cost Flyback controller because of simple design. However, saw current limit is hard to test in mass production. Therefore, it's generally "guaranteed by design". The variation of process and package will make its tolerance wider. It will lead to 20% to 30% variation when doing OLP test at certain line voltage. This will cause yield loss in power supply mass production. Through well foundry control, design and test / trim mode in final test, R7735 current limit tolerance is tight enough to make design easier.

PRO Pin Application

R7735 features a PRO pin, as shown in Figure 2, and it can be applied for external arbitrary OVP or OTP (ex : Figure 3 to Figure 6).

If the voltage of PRO pin is greater than pull-low threshold V_{L_TH} , the controller is enabled and switching will occur. If the voltage of PRO pin falls below pull-low threshold or rises to pull-high threshold V_{H_TH} , the controller will be shut down and cease to switch after deglitch delay.

PRO pin is built in 1.5V internally, so leave PRO pin open if you don't need this function. If designer needs to apply a bypass capacitor on PRO pin, it should not be more than 1nF. The internal bias current of PRO pin is 100µA (typ.). R7735 has internal OVP. For arbitrary OVP or OTP applications which behave as auto recovery or latch, it can get these by PRO pin. For PRO pin pulling high function applications, the voltage of PRO pin must rise above V_{H_TH} (The supply current of PRO pin must be greater than 1.4mA and be limited below 5mA.). When IC enters latch mode, the IC maximum operating current is 8µA (100°C), and it will be release until V_{DD} is fallen to V_{TH_OFF} .

PRO pin is guaranteed that below: If the voltage of PRO pin reaches 4.1V or falls below 0.47V, the system will be protected.

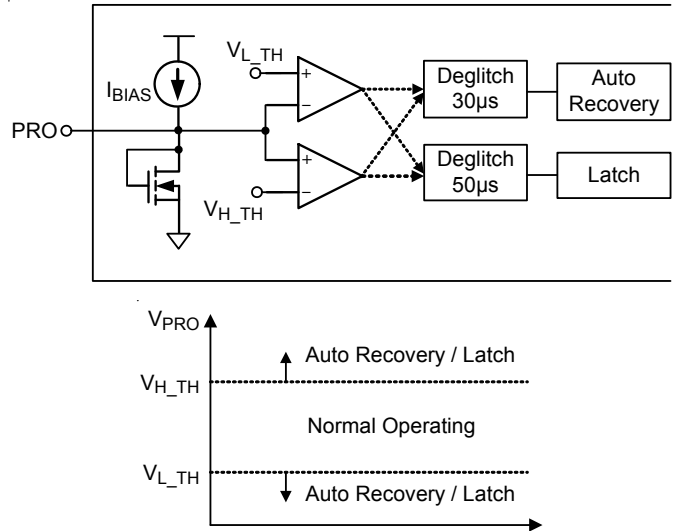


Figure 2. PRO Pin Diagram

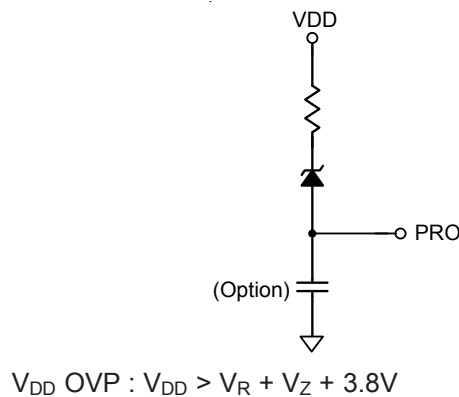


Figure 3. For VDD OVP Only

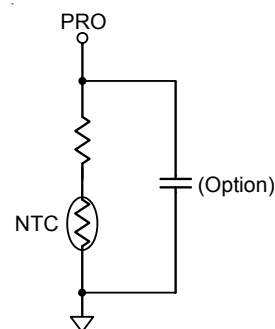


Figure 4. For OTP Only

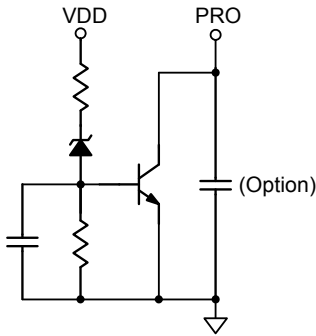


Figure 5. For VDD OVP

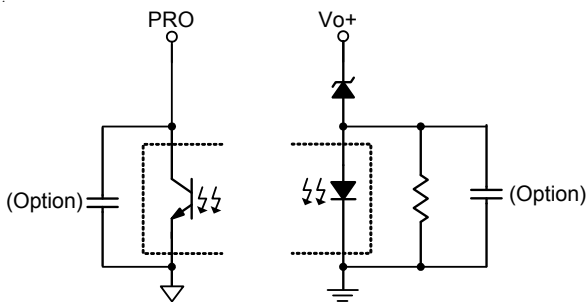


Figure 6. For V_{OUT} OVP

Protection

R7735 provide fruitful protection functions that intend to protect system from being damaged. All the protection functions can be listed as below:

► **Cycle-by-Cycle Current Limit**

This is a basic but very useful function and it can be implemented easily in current mode controller.

► **Over Load Protection**

Long time cycle-by-cycle current limit will lead to system thermal stress. To further protect system, system will be shut down after 56ms (R7735A: 28ms; R7735H: 36ms).

Through our proprietary prolong turn off period during hiccup(R7735A: latch), the power loss and thermal during OLP will be averaged to an acceptable level over the ON/OFF cycle of the IC. This will last until fault is removed.

► **Brownout Protection**

During heavy load, this will trigger 56ms(R7735A: 28ms; R7735H: 36ms) protection and shut down the system. If it is in light load condition, system will be shut down after V_{DD} is running low and triggers UVLO.

► **CS Pin Open Protection**

When CS pin is opened, the system will be shut down after couples of cycle. It could pass CS pin open test easier.

► **Over Voltage Protection**

Output voltage can be roughly sensed by VDD pin. If the sensed voltage reaches 27V threshold, system will be shut down and hiccup after 20μs deglitch delay for R7735G/R/H or latch after 70μs deglitch delay for R7735L/A. This will last until fault is removed.

► **Feedback Open and Opto-Coupler Short**

This will trigger OVP or OLP. It depends on which one occurs first.

► **Secondary Rectifier Short Protection**

As shown in Figure 7. The current spike during secondary rectifier short test is extremely high because of the saturated main transformer. Meanwhile, the transformer acts like a leakage inductance. During high line, the current in power MOSFET is sometimes too high to wait for OLP delay time. To offer better and easier protection design, R7735 shut down the controller after couples of cycles before fuse is blown up.

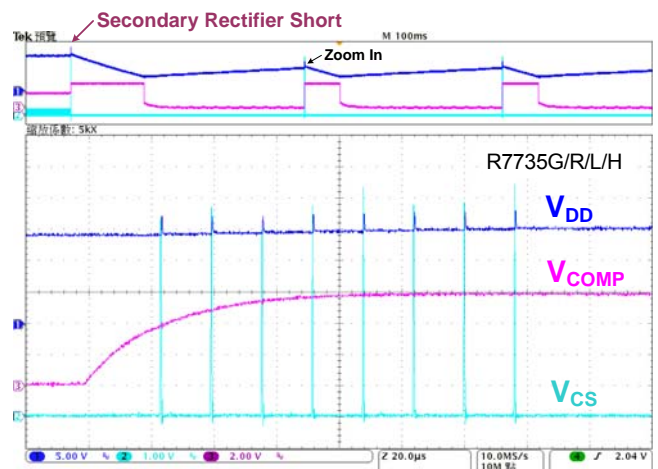


Figure 7. Secondary Rectifier Short Protection

Negative Voltage Spike on Each Pin

Negative voltage (< -0.3V) on each pin will cause substrate injection. It leads to controller damage or circuit false trigger. Generally, it happens at CS pin due to negative spike because of improper layout or inductive current sense resistor. Therefore, it is highly recommended to add a R-C filter to avoid CS pin damage, as shown in Figure 8. Proper layout and careful circuit design should be done to guarantee yield rate in mass production.

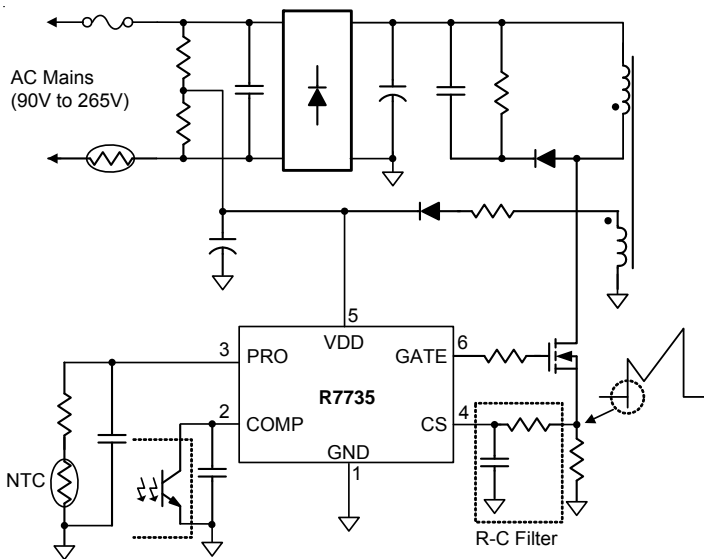


Figure 8. R-C Filter on CS Pin

Thermal Considerations

For continuous operation, do not exceed absolute maximum junction temperature. The maximum power dissipation depends on the thermal resistance of the IC package, PCB layout, rate of surrounding airflow, and difference between junction and ambient temperature. The maximum power dissipation can be calculated by the following formula :

$$P_{D(MAX)} = (T_{J(MAX)} - T_A) / \theta_{JA}$$

where $T_{J(MAX)}$ is the maximum junction temperature, T_A is the ambient temperature, and θ_{JA} is the junction to ambient thermal resistance.

For recommended operating condition specifications, the maximum junction temperature is 125°C. The junction to ambient thermal resistance, θ_{JA} , is layout dependent. For

SOT-23-6 packages, the thermal resistance, θ_{JA} , is 250°C/W on a standard JEDEC 51-3 single-layer thermal test board. For DIP-8 packages, the thermal resistance, θ_{JA} , is 140°C/W on a standard JEDEC 51-3 single-layer thermal test board. The maximum power dissipation at $T_A = 25^\circ\text{C}$ can be calculated by the following formula :

$$P_{D(MAX)} = (125^\circ\text{C} - 25^\circ\text{C}) / (250^\circ\text{C/W}) = 0.400\text{W for SOT-23-6 package}$$

$$P_{D(MAX)} = (125^\circ\text{C} - 25^\circ\text{C}) / (140^\circ\text{C/W}) = 0.714\text{W for DIP-8 package}$$

The maximum power dissipation depends on the operating ambient temperature for fixed $T_{J(MAX)}$ and thermal resistance, θ_{JA} . The derating curves in Figure 9 allow the designer to see the effect of rising ambient temperature on the maximum power dissipation.

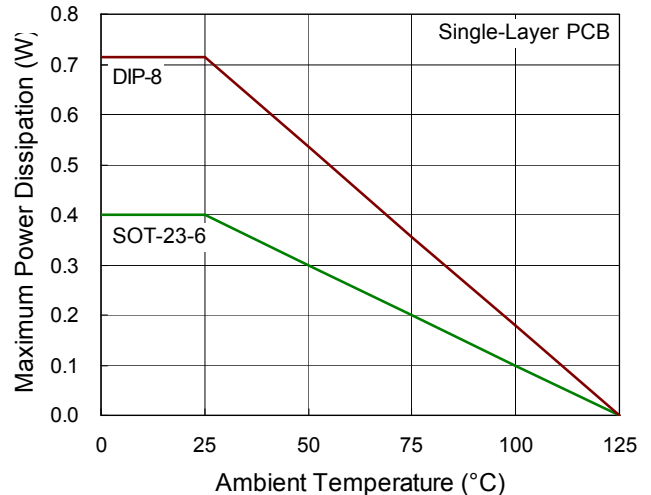


Figure 9. Derating Curve of Maximum Power Dissipation

Layout Consideration

A proper PCB layout can abate unknown noise interference and EMI issue in the switching power supply. Please refer to the guidelines when you want to design PCB layout for switching power supply :

- ▶ The current path (1) from bulk capacitor, transformer, MOSFET, Rcs return to bulk capacitor is a huge high frequency current loop. It must be as short as possible to decrease noise coupling and kept a space to other low voltage traces, such as IC control circuit paths, especially.

- ▶ The path(2) from RCD snubber circuit to MOSFET is also a high switching loop, too. Keep it as small as possible.
- ▶ It is good for reducing noise, output ripple and EMI issue to separate ground traces of bulk capacitor(a), MOSFET(b), auxiliary winding(c) and IC control circuit (d). Finally, connect them together on bulk capacitor ground(a). The areas of these ground traces should be kept large.
- ▶ Placing bypass capacitor for abating noise on IC is highly recommended. The bypass capacitor should be placed as close to controller as possible.
- ▶ In order to minimize reflected trace inductance and EMI, it is minimized the area of the loop connecting the secondary winding, the output diode, and the output filter capacitor. In addition, apply sufficient copper area at the anode and cathode terminal of the diode for heatsinking. Apply a larger area at the quiet cathode terminal. A large anode area can increase high-frequency radiated EMI.

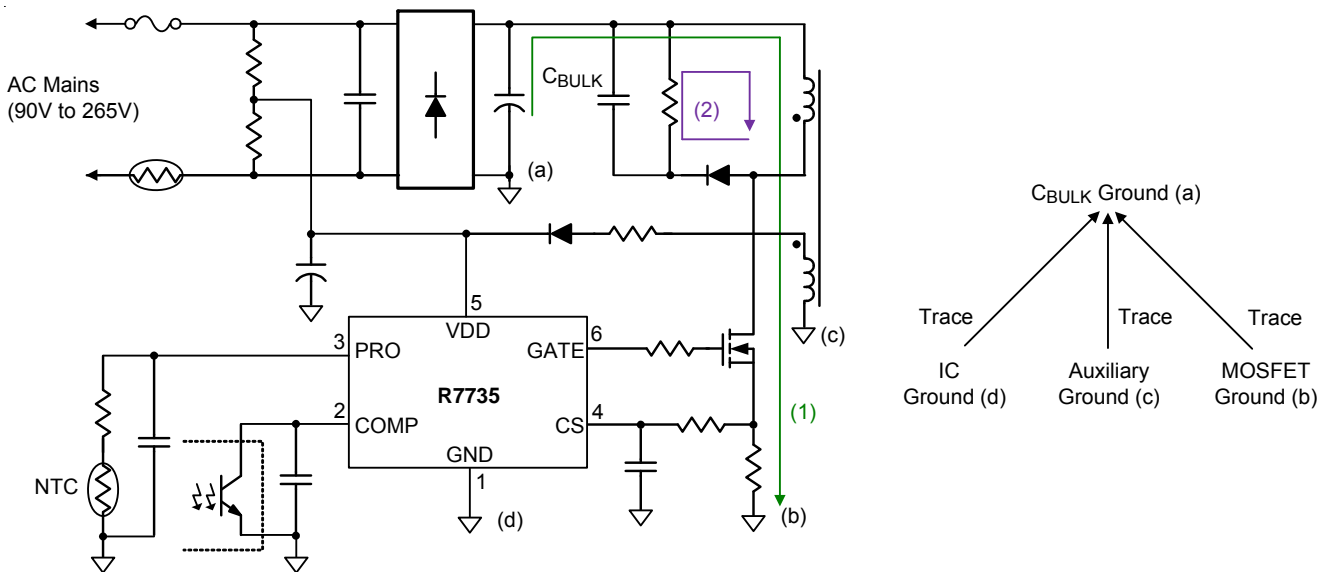
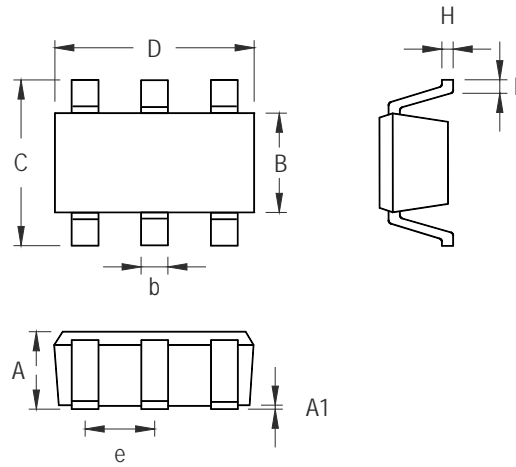


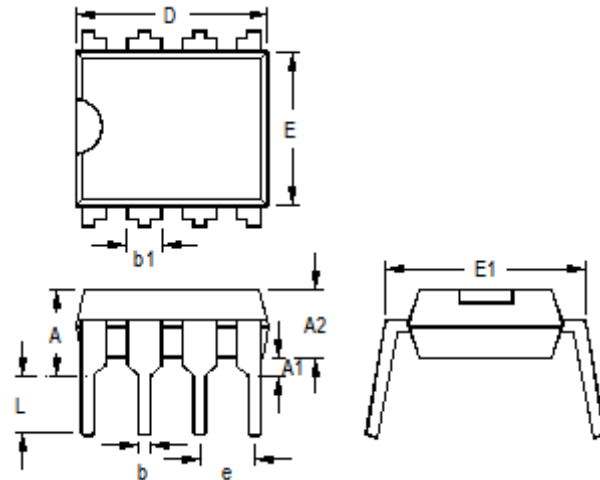
Figure 12. PCB Layout Guide

Outline Dimension



Symbol	Dimensions In Millimeters		Dimensions In Inches	
	Min	Max	Min	Max
A	0.889	1.295	0.031	0.051
A1	0.000	0.152	0.000	0.006
B	1.397	1.803	0.055	0.071
b	0.250	0.560	0.010	0.022
C	2.591	2.997	0.102	0.118
D	2.692	3.099	0.106	0.122
e	0.838	1.041	0.033	0.041
H	0.080	0.254	0.003	0.010
L	0.300	0.610	0.012	0.024

SOT-23-6 Surface Mount Package



Symbol	Dimensions In Millimeters		Dimensions In Inches	
	Min	Max	Min	Max
A	3.700	4.320	0.146	0.170
A1	0.381	0.710	0.015	0.028
A2	3.200	3.600	0.126	0.142
b	0.360	0.560	0.014	0.022
b1	1.143	1.778	0.045	0.070
D	9.050	9.550	0.356	0.376
E	6.200	6.600	0.244	0.260
E1	7.620	8.255	0.300	0.325
e	2.540		0.100	
L	3.000	3.600	0.118	0.142

8-Lead DIP Plastic Package

Richtek Technology Corporation

14F, No. 8, Tai Yuen 1st Street, Chupei City
 Hsinchu, Taiwan, R.O.C.
 Tel: (8863)5526789

Richtek products are sold by description only. Richtek reserves the right to change the circuitry and/or specifications without notice at any time. Customers should obtain the latest relevant information and data sheets before placing orders and should verify that such information is current and complete. Richtek cannot assume responsibility for use of any circuitry other than circuitry entirely embodied in a Richtek product. Information furnished by Richtek is believed to be accurate and reliable. However, no responsibility is assumed by Richtek or its subsidiaries for its use; nor for any infringements of patents or other rights of third parties which may result from its use. No license is granted by implication or otherwise under any patent or patent rights of Richtek or its subsidiaries.